

AC SSR

WUXI GOLD CONTROL TECHNOLOGY CO.,LTD.

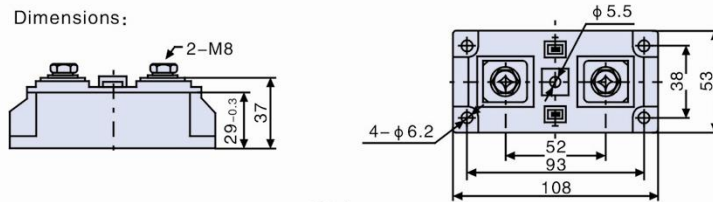


AC SSR of Module Type



Main technical parameter	Type	SAM40400D	SAM60400D	SAM100400D
Load voltage range		40-480VAC	90-800VAC	90-1100VAC
Max Load current		400A		
Isolation bet.In & out		≥3000VAC 1min		
Isolation to case		≥3000VAC 1min		
Control voltage range		4-32VDC		
Control current		5-25mA(build-in constant current circuit)		
Output		Two SCR inverse parallel, Zero switching		
Turn-on voltage		≤1.3VAC		
Off-state leakage		≤8mA		
Off-state dv/dt		500v/μs		
On or off time		10ms@50Hz		
Frequently range		47/63Hz		
Status indicator		LED		
Operating temperature		-40 ~ 80°C		

Dimensions:



400A

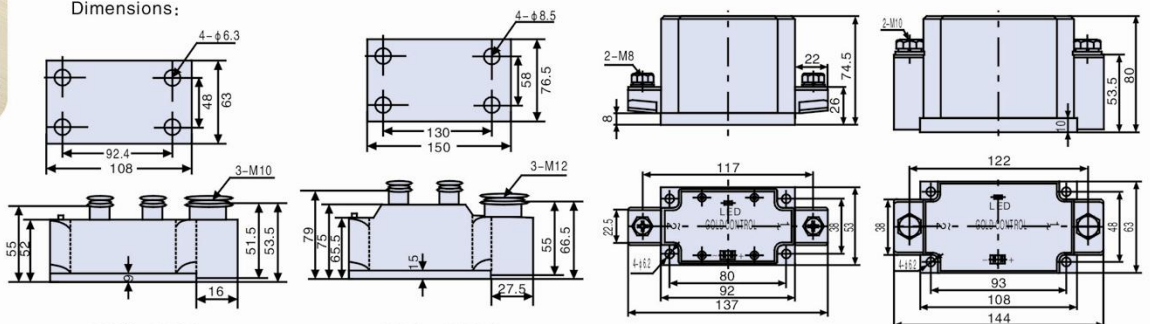


AC SSR of Pressure Connection Type

International patent

Main technical parameter	Type	SAM80500D	SAM80600D	SAM80800D	SAM801000D	SAM801600D
Load voltage range		40-1000VAC				
Max Load current		500A, 600A, 800A, 1000A, 1200A, 1600A				
Isolation bet.In & out		≥3000VAC 1min				
Isolation to case		≥3000VAC 1min				
Control voltage range		4-32VDC				
Control current		6-25mA(build-in constant current circuit)				
Output		Two SCR inverse parallel, Zero switching				
Turn-on voltage		≤1.9VAC				
Off-state leakage		≤3mA				
Off-state dv/dt		800v/μs				
On or off time		10ms@50Hz				
Frequently range		47/63Hz				
Status indicator		LED				
Operating temperature		-40 ~ 80°C				

Dimensions:



500A, 600A

800A, 1000A

500A, 600A

800A, 1000A