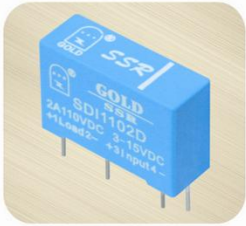
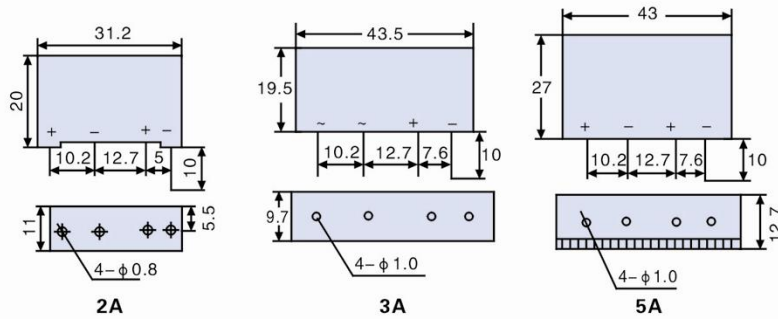


DC SSR of Single In-line



Main technical parameter	Type	SDI1102D	SDI1103D SDI1105D	SDI3003D SDI3005D
Load voltage		12-110VDC	12-110VDC、12-300VDC	
Max Load current		2A	3A、5A	
Isolation bet.In & out		≥2000VAC 1min		
Isolation to case		≥2500VAC 1min		
Control voltage		3-15V or 15-28V		
Control current		3-30mA		
Turn-on voltage drop		≤1.3V		
Off-state leakage		< 0.05mA		
Switch time		≤0.1ms		
Status indicator		NO	LED	
Operating temperature		-40 ~ 80°C		

Dimensions:



DC SSR of Horizontal 、 DC SSR of Module



Main technical parameter	Type	SDP1105D SDP1110D SDP1120D SDP4010 SDP4020 SDP4030 SDP4040 SDP6060 SDP6020 SDP6030 SDP6040 SDP6060	SDM Series
Load voltage range		12-110VDC、12-480VDC、12-600VDC	48-400VDC、48-1000VDC
Max Load current		5A、10A、20A、30A、40A、60A	100A、150A、200A、300A、400A、600A
Isolation bet.In & out		≥2500VAC 1min	
Isolation to case		≥2500VAC 1min	
Control voltage range		3-15V、15-32V	
Control current		5-30mA	
Turn-on voltage		≤1.5V	
Off-state leakage		< 1mA	
Status indicator		LED	
Operating temperature		-40 ~ 80°C	
On of off time		≤2ms	

Dimensions:

